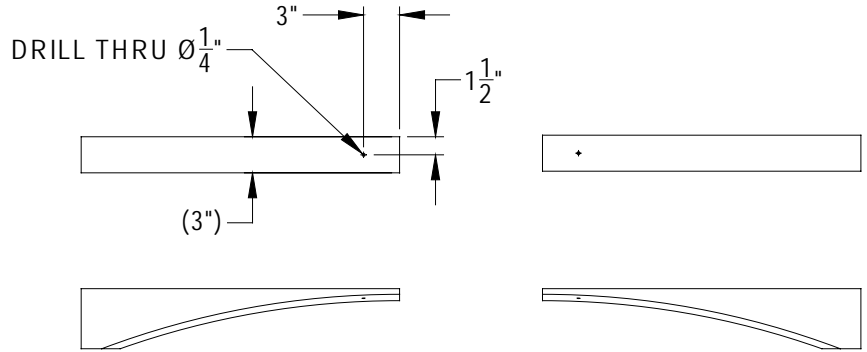
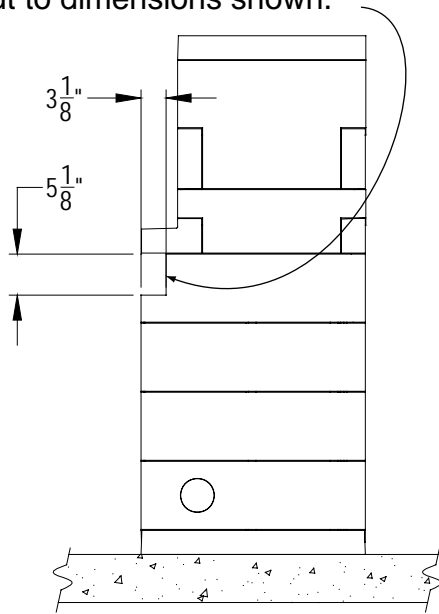
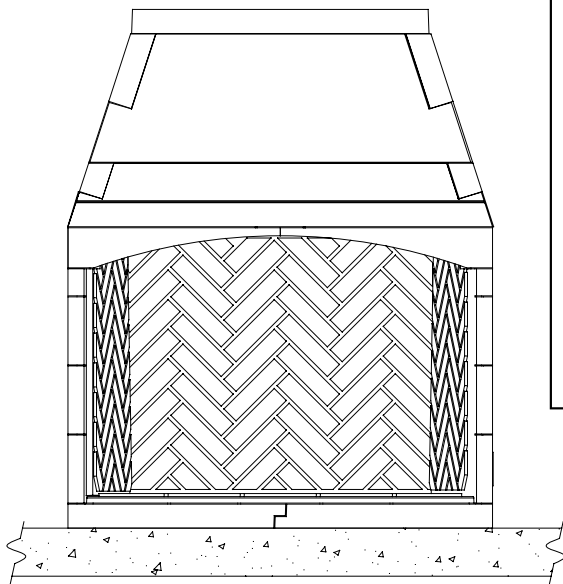


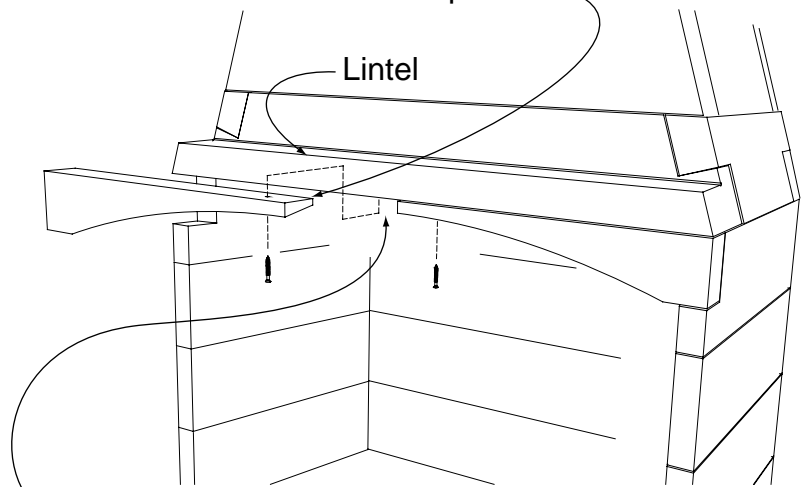
Notch out the top front of both Side Walls using a masonry blade. Cut to dimensions shown.



Arch is made for 49" unit. If used in smaller models, cut down to size needed.



Note smaller end of slope on arch is positioned towards the inside of the fireplace.



Mortar arches in place and drill Ø1/8" pilot holes into lintel. Secure arches with 1/4" Tapcon screws.

TITLE: **BURNTech ARCH INSTALLATION**

DWG. NUMBER	RELEASE DATE	REV. DATE	APPROVED
SXXX	01/09/2011	N/A	